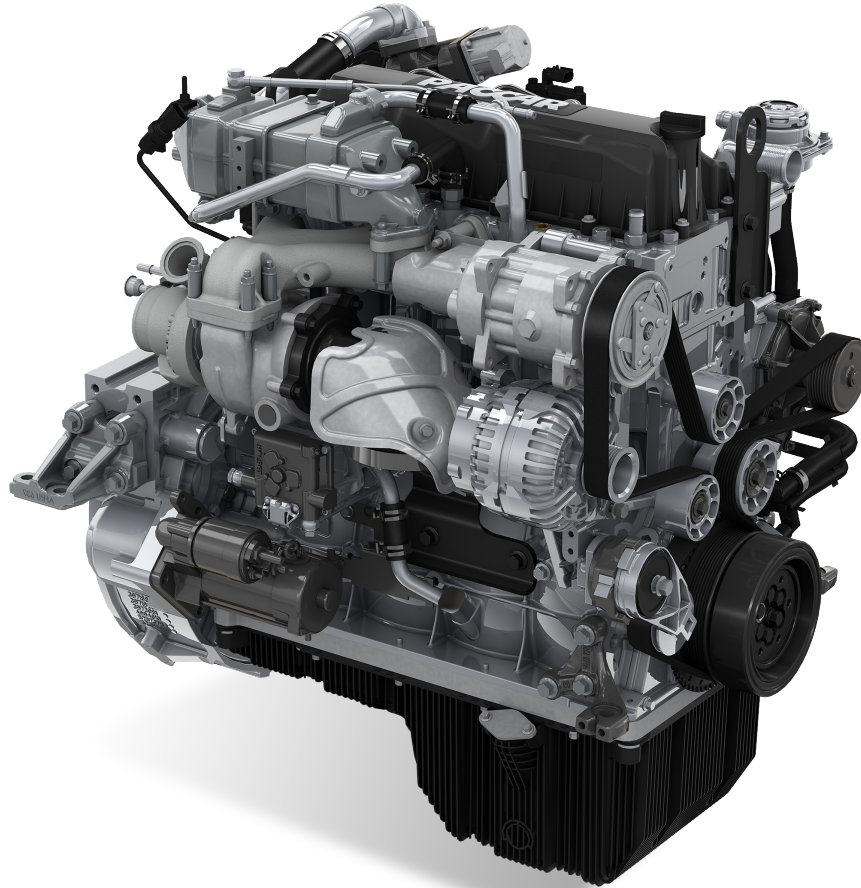


PACCAR PX-5 engines



The 4.5 litre Euro 6 PACCAR PX-5 engine uses common rail technology, a turbo with variable geometry and advanced controls for maximum efficiency. In order to comply with the strict Euro 6 emissions requirements, it features exhaust gas recirculation, together with SCR technology and an active soot filter.

Engine	Output - kW (hp)	Torque - Nm
PX-5 135	135 (184) ¹	700 at 1200 - 1800 rpm
PX-5 157	157 (213) ²	760 at 1300 - 2000 rpm

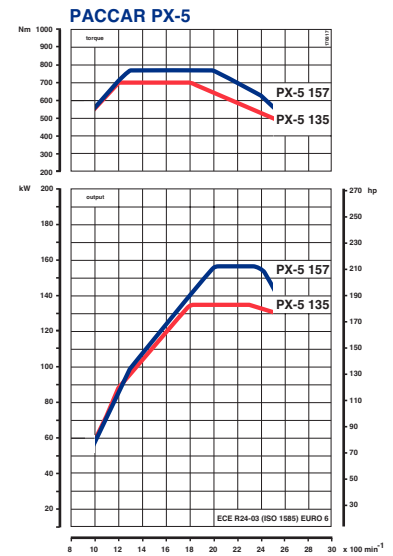
¹ at rated engine speed 1800 - 2300 rpm

² at rated engine speed 2000 - 2400 rpm

General information

Four-cylinder in-line turbocharged diesel engine with intercooling. Ultra clean combustion with Exhaust Gas Recirculation (EGR), Diesel Particulate Filter (DPF) and Selective Catalytic Reduction (SCR) aftertreatment for Euro 6 emission levels.

Bore x stroke	107 x 124 mm
Piston displacement	4.5 litres
Compression ratio	17.3 to 1



PACCAR PX-5 engines

Main construction

Cylinder block	cast iron stiffened ladder frame, contoured and deep skirted with cylinder bores direct in the block
Cylinder	head one-piece cast iron cross-flow type cylinder head composite valve cover
Valves	four valves per cylinder
Pistons	aluminium alloy pistons, Ni-resist with symmetrical re-entrant combustion chamber; gallery cooled
Piston rings	2 compression rings; 1 scraper ring
Crankshaft	forged alloy steel with balance weights; supported in 5 bearings
Cam shaft	steel forged and induction hardened supported in 4 bearings; driven from the timing gears (single plain train at the rear of the engine)
Oil sump	17 litres composite oil sump, closed crankcase ventilation with impactor

Fuel injection and induction

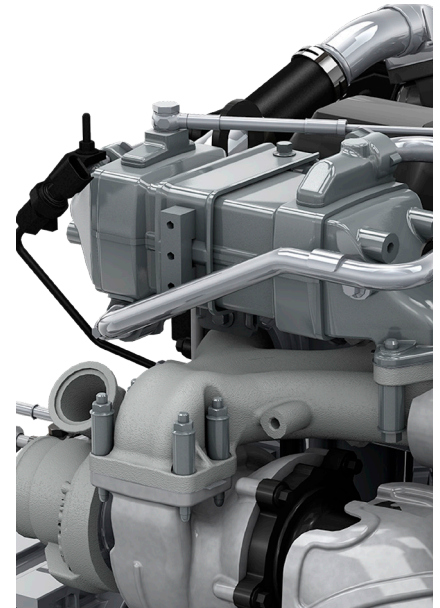
Fuel injection	Common Rail (CR) injection system
Injectors	electronically controlled
Injection timing	variable start and duration, electronically controlled
Injection pressure	max. 1800 bar
Fuel injection	start and duration, as well as the injection pressure, are controlled by the engine mounted electronic control module
Induction	turbocharged with charge cooling (intercooling)
Turbocharger	variable geometry turbocharger (VGT) with electrical actuator
Emission control	exhaust gas recirculation (EGR)

Lubrication

Oil filter	full-flow oil filter with replaceable element
Oil cooler	coolant-to-oil plate type heat exchanger
Oil pump	concentric oil pump, driven by crankshaft

Cooling system

Pump	belt driven centrifugal pump
Thermostat	single wax type in cylinder head
Fan drive	crankshaft driven with temperature controlled viscous coupling
Expansion	tank translucent tank (for visual level check) behind the front grille panel



PACCAR PX-5 engines

Auxiliaries and exhaust brake

Compressor	driven from rear timing gears
Alternator	poly-V-belt driven at engine front
Steering pump	driven from timing gears (via compressor)
Exhaust brake	VGT turbo with electrical control

Distribution applications up to 16 tonnes

The 4 cylinder PX-5 engines are suitable for trucks up to 16 tonnes. They are available with outputs up to 213 hp with a high maximum torque of 760 Nm. The engines have composite oil sumps to save weight and reduce noise. The engine mounts isolate engine vibrations from chassis and cab. Efficient fans provide high cooling air flow against a low power demand. The engines feature a fast transient response and general driveability. The availability of more torque at a low engine speed results in better drive-off characteristics.

Performance

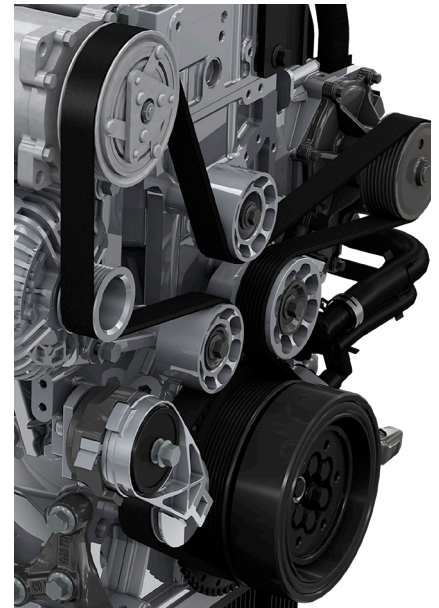
All PACCAR PX-5 engines deliver excellent torque at low engine speeds resulting in easy and comfortable driving, even in dense traffic without frequent gear changes. The characteristics make the PX-5 engines pre-eminently suitable for tough inner-city distribution jobs. The standard exhaust brake delivers up to 110 kW braking power.

Fuel efficiency

A well-controlled combustion process together with additional technology to achieve the ultra-low Euro 6 emission values. The highly efficient combustion results in an excellent fuel economy as another leading edge of the PACCAR PX-5 engines.

Environment

PACCAR PX-5 engines use the proven PACCAR technology for exhaust gas aftertreatment, consisting of a Diesel Particulate Filter (DPF) and a Selective Catalytic Reducer (SCR) with airless AdBlue injection. The neatly packed aftertreatment unit is placed at the right-hand side of the chassis. A vertical installation behind the cab is available for specific applications.



PACCAR PX-5 engines

Legend:

- | | |
|---------------------|----------------------------------|
| 1. CCV cover | 8. Poly-V-belt auxiliary drive |
| 2. EGR cooler | 9. Crank shaft |
| 3. Exhaust manifold | 10. Alternator |
| 4. VGT Turbo | 11. Air conditioning compressor |
| 5. Engine block | 12. Water pump |
| 6. Starter engine | 13. Closed Crankcase Ventilation |
| 7. Oil sump | 14. EGR valve |

